

SINK SETTER INSTALLATION INSTRUCTIONS

PRECISION WORKS SINK SETTER, INC. CA 92647

Contents

This package includes:

- (2) Inner and (2) Outer Channels either model (PW-99 14" to 26") or (PW-104 25" to 47") enclosed, (8) wood screws, (4) 1/4" x 3/4" (2) 1/4" Nuts Either 6 or 10 sets of 3 1/2", leveling bolts and caps,

Assemble Sink Setter Members & Pre-fit Sink

1) Determine the best way to support your sink either using side-to-side or front-to-back supporting methods. **Remember that faucets must clear.**

2) Slide the channel pieces together (one inside the other) and open them up to set tight against the walls of the cabinet. Place a 1/4" bolt at each end at the farthest point possible where the bolt goes through the top half and into the threaded lower channel (See Fig. 3). For the longest extensions, you may want to use one of the bolts with a nut through both slots in the pieces to leave room for a leveling bolt. It works well to space the leveling bolts at 4" centers if possible.

3) Thread the leveling bolts through the threaded holes in a pattern that supports the sides of the sink evenly. Raise the heights to a point close to the same height of the bracket legs at either end. (Look at Fig. 7 to see why). Repeat the process for the second Sink Setter assembly.

4) Slide the Sink Setters tight against the underside walls of sink and under the sink rim (See Fig. 4). Place the Sink Setters and the sink into the desired position. Lay a level or straight edge across the top of the cabinet and adjust the leveling bolts.

5) Recess the sink Setter ears(4) if needed, allowing the countertop to sit flush (see Fig. 7). Install the 8 wood screws to anchor the ends of the Sink Setter to the cabinet walls. Caulk the rim of the sink to provide a seal as the sink is raised back up into position during the final step.

6) Place the countertop (with the sink opening pre-cut) in position and raise the leveling bolts with the nut driver provided (See Fig. 7).

Fig. 1
Typical Installation

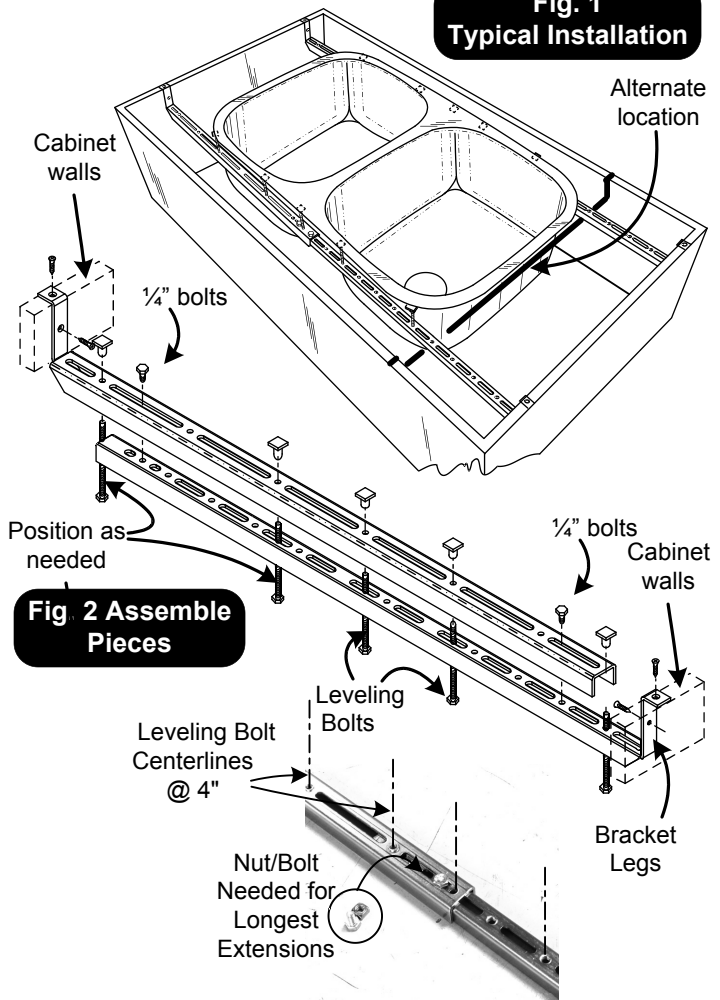


Fig 2 Assemble Pieces

Fig 3 Bolt Assy. - Longest Extension

Fig. 7 Cross-Section of Mounting

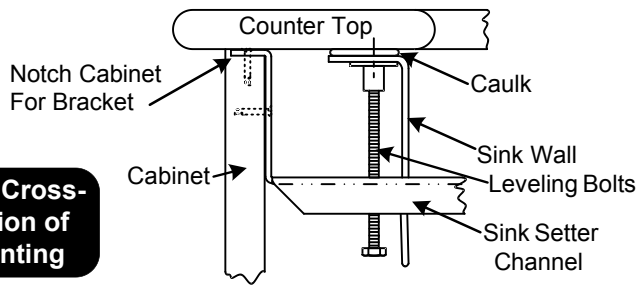
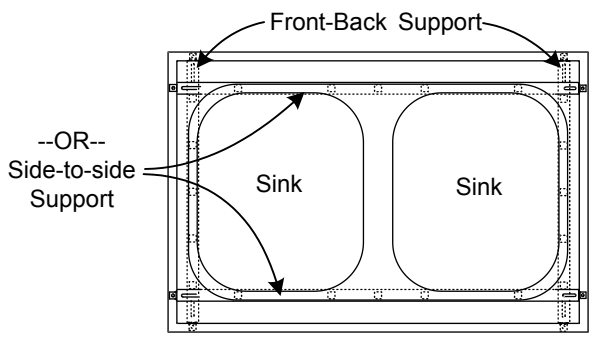


Fig. 4
Installation



Alternate Uses for the Sink Setter

1) Corner sinks can be installed as shown in Fig. 5 & 6. The Sink Setter legs can be twisted as shown in Fig. 6. Follow the steps above for this type of installation as well.

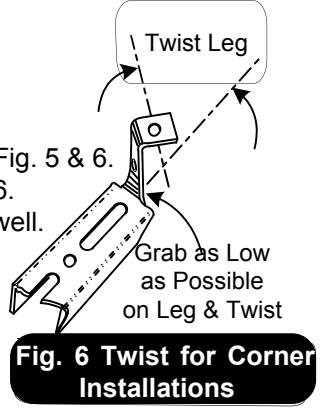


Fig. 6 Twist for Corner Installations

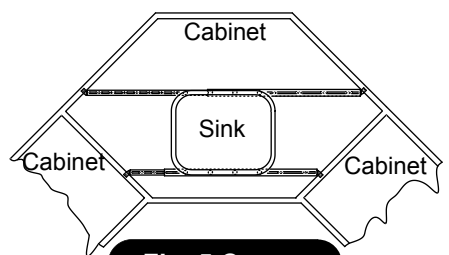


Fig. 5 Corner Installation