

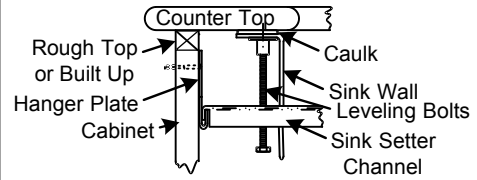
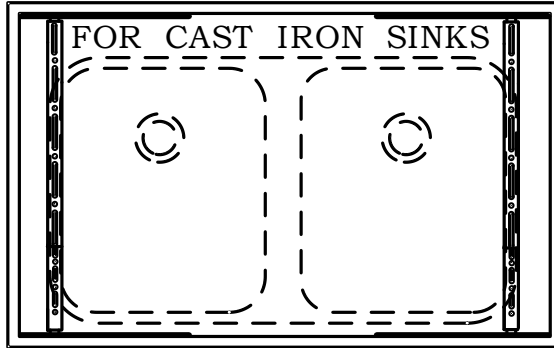
NEW SINK SETTER MODELS

Stainless Steel Sinks - Cast Iron Sinks - Composite Sinks

Patents: One Or More Of 5,538,206- 7,4290,21- 7,698,753 Others Pending

UNDERMOUNT SINK INSTALLATION KIT

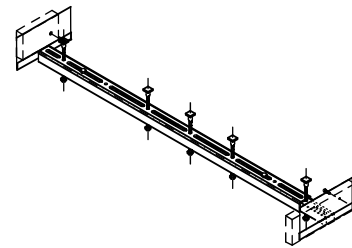
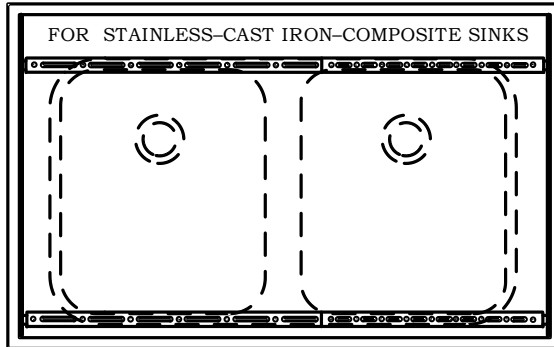
NEW MODEL
PW-99-P
ADJUST FROM
14" TO 26"
FRONT TO BACK



12 – Sets Per Case = 48 lbs.

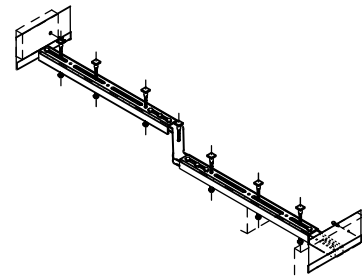
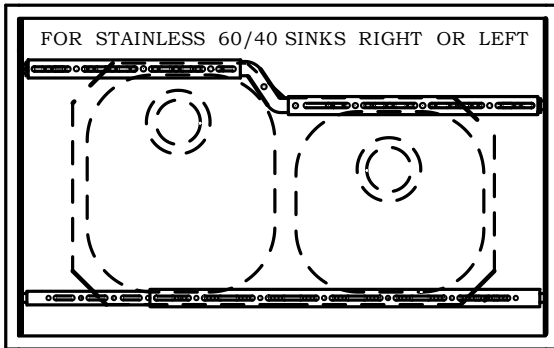
ALL NEW MODELS CAN BE INSTALLED AFTER COUNTER IS INSTALLED
EASY TO REPLACE SINK IF DAMAGED
ALLOWS YOU TO RE-SET A SINK IN EXISTING COUNTER TOP

NEW MODEL
PW-104-P
ADJUSTS FROM
25" TO 47"
SIDE TO SIDE



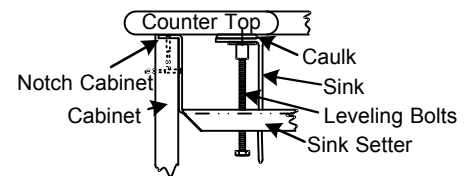
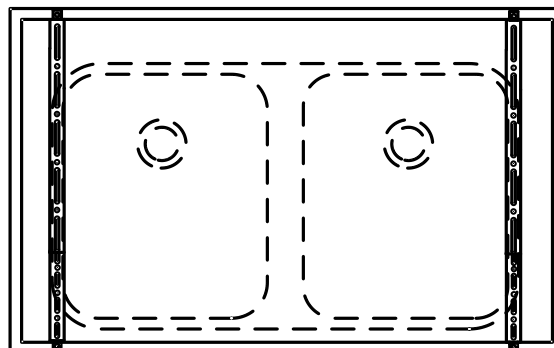
6 – Sets Per Case = 47 lbs.

NEW MODEL
PW-114-P
ADJUST FROM
31" TO 47"
OFFSET
LEFT OR RIGHT



6 – Sets Per Case = 52 lbs.

OLD MODEL
PW-99
ADJUST FROM
14" TO 26"
FRONT TO BACK



12 – Sets Per Case = 38 lbs.

PRECISION WORKS PRODUCTS, INC.

Huntington Beach, CA 92647 (800) 490-3891 WWW.SINKSETTER.COM